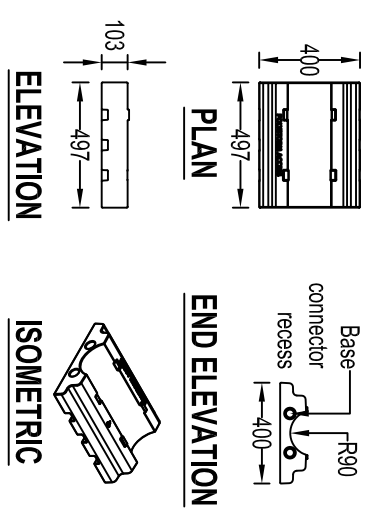


TYPICAL SECTION

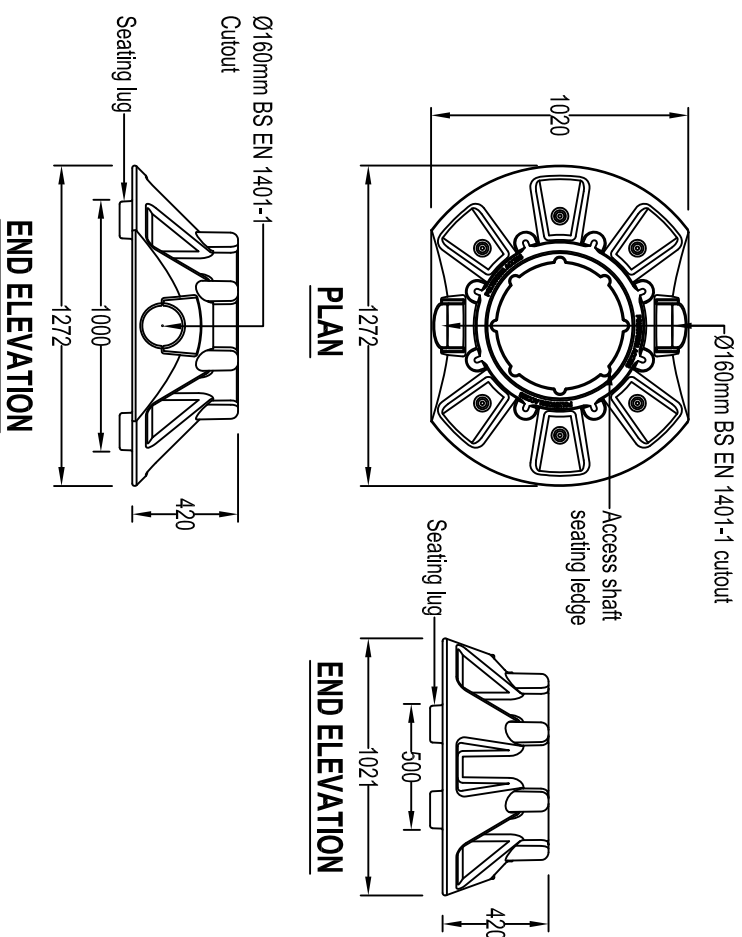
1 POLYSTORM ACCESS BASE

Product Code: PSMA-B2 (inc. 1a & 1b connectors)



2 POLYSTORM ACCESS TURRET

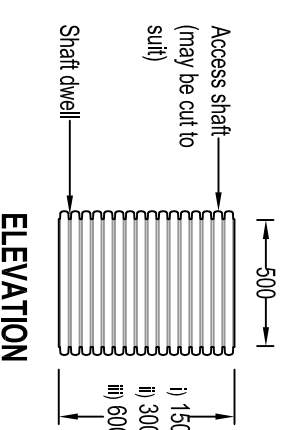
Product Code: PSMA-T



3 POLYSTORM ACCESS SHAFT

Product Code Options:

- i) RD500x1.5PE/1
 - ii) RD500x3PE/1
 - iii) RD500x6PE/1
- (All options inc. 2 x 500Ø ring seals)

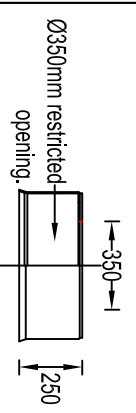


NOTES

1. For depths greater than 1.2m to invert, a Ø500mm reduced access cap (product code: PSMA-R) should be used in place of slip coupler.
2. Refer to Polypipe drawing No. PSM_SD_PSM_004 for typical integration into Polystorm structure.
3. For landscape, light and heavy loading area typical installation details refer to Polypipe drawing No. PSM_SD_PSM_005.

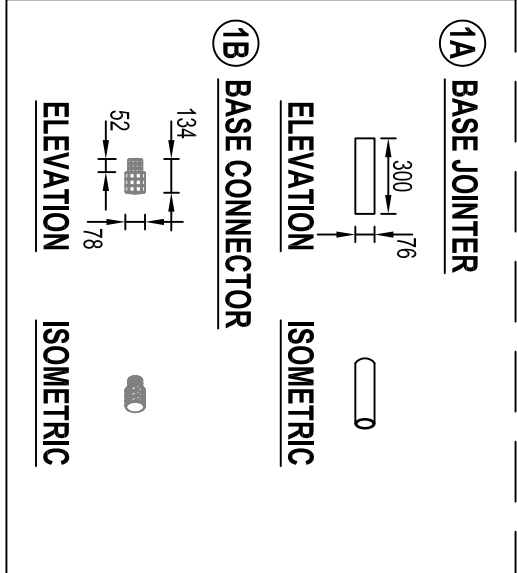
4 POLYSTORM ACCESS CAP

Product Code: PSMA-R



Note
Alternative slip coupler available (CRD500/1), which offers unrestricted access; only recommended for total access depths < 1.2m

1. All dimensions in millimetres, unless otherwise stated.
2. All dimensions are nominal and may vary within manufacturing or construction tolerances.
3. All site temporary and enabling works by others.
4. Polypipe products to be installed in accordance with Polypipe civils recommendations (refer to Polypipe technical guidance for further information), giving due consideration to the requirements of the organisation who will be taking ultimate owner ship of the installation.
5. This drawing is intended for guidance only. Confirmation of the information contained within this document should be sought from the consulting engineers before final design or construction activities commence.



The information in this document is of an illustrative nature and is supplied by Polypipe Civils without charge. This document does not form the whole or any part of a contract or intended contract with the user. The information within this document should not be solely relied upon to determine the suitability or installation requirements of our products for a proposed application and expected site conditions; expert advice should be sought in this respect. Final determination of the suitability of any information or material for the use contemplated and the manner of use is the sole responsibility of the user and the user must assume all risk and liability in connection therewith. Further information with regard to liabilities may be found at www.polypipe.com/discclaimer.



Polypipe Civils

Charnwood Business Park,
North Road, Loughborough,
Leicestershire, LE11 1LE

Tel: 01509 615100
Fax: 01509 615215
www.polypipe.com/civils
www.polypipe.com/wms

POLYSTORM STANDARD DETAILS

| | | |
|---------------|---------------------------------------|----------------|
| PROJECT | POLYSTORM STANDARD DETAILS | |
| TITLE | POLYSTORM ACCESS COMPONENT & ASSEMBLY | |
| DATE | 17/03/16 | DRAWN BY JL |
| ORIGINAL SIZE | A3 | SCALE AS SHOWN |
| DRAWING NO. | PSM_SD_007 | REV: |