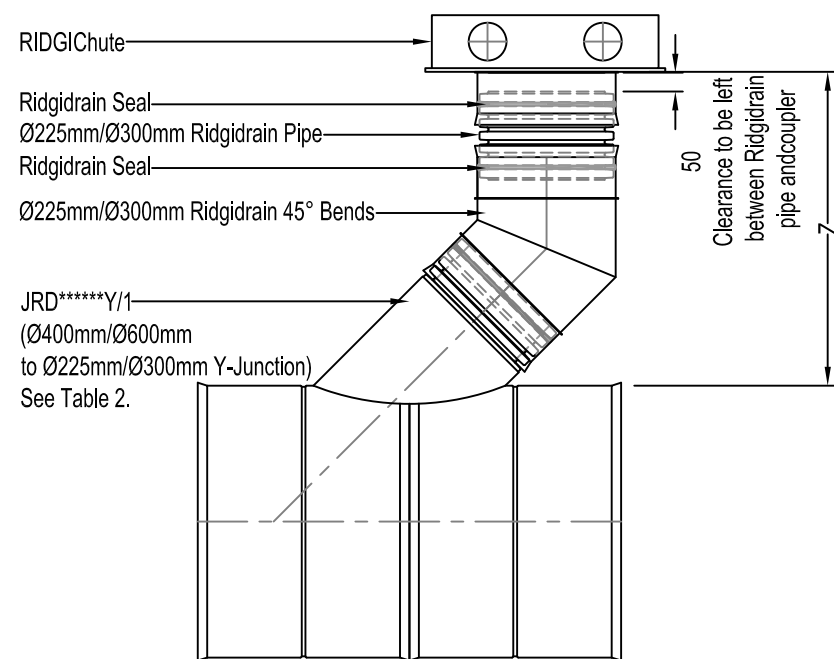


RIDGICHUTE



RIDGICHUTE - INSTALLATION

TABLE 1.

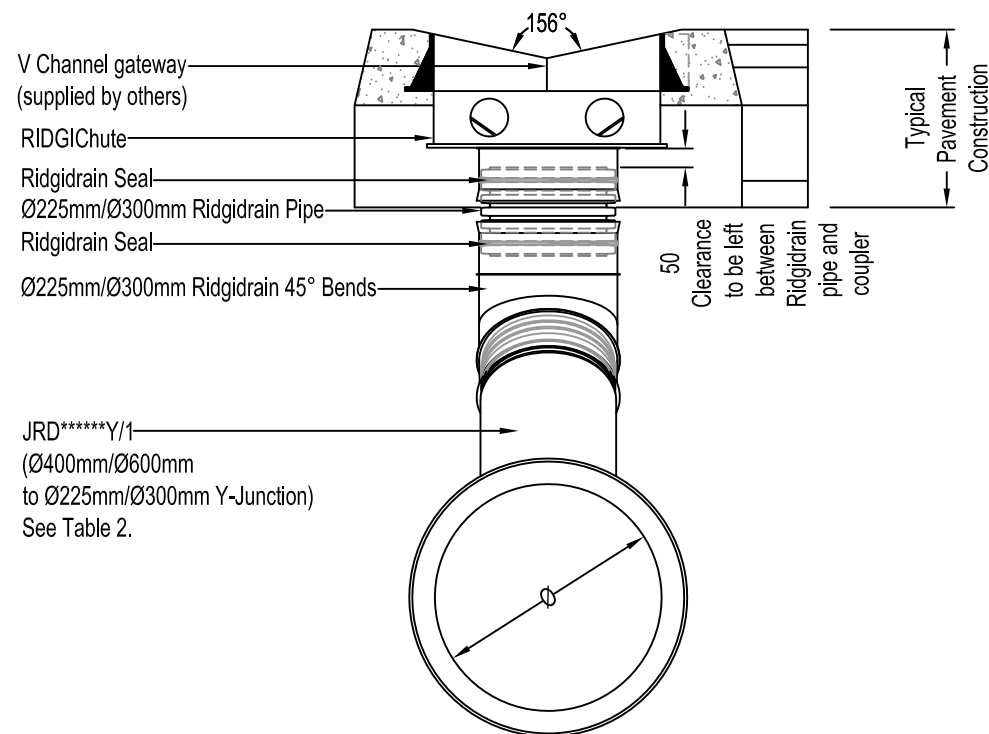
TOLERANCE		
ONE CORRUGATION		
± 225	34	mm
± 300	40	mm

NOTE:

The RIDGICHUTE must be surrounded 150mm and filled with ST4 concrete

TABLE 2.

Ø	DIMENSIONS		CODE	
	Z (min)		Ø225	Ø300
Ø225	-	-	-	-
Ø300	-	-	-	-
Ø400	400	830	JRD400225Y/1	JRD400300Y/1
Ø450	450	830	JRD450225Y/1	JRD450300Y/1
Ø500	500	830	JRD500225Y/1	JRD500300Y/1
Ø600	600	830	JRD600225Y/1	JRD600300Y/1



RIDGICHUTE - PAVEMENT MAKE-UP SHOWN

DRAWING NOTES

1. Drawings should not be scaled, refer to figured dimensions only.
2. All dimensions in millimetres, unless otherwise stated.
3. All dimensions are nominal and may vary within manufacturing or construction tolerances.
4. All site temporary and enabling works by others.
5. This drawing is intended for guidance only. Confirmation of the information contained within this document should be sought from the consulting engineers before final design or construction activities commence.

REV	AMENDMENT	DATE
-----	-----------	------

The information in this document is of an illustrative nature and is supplied by Polypipe Civils without charge. This document does not form the whole or any part of a contract or intended contract with the user. The information within this document should not be solely relied upon to determine the suitability or installation requirements of our products for a proposed application and expected site conditions; expert advice should be sought in this respect. Final determination of the suitability of any information or material for the use contemplated and the manner of use is the sole responsibility of the user and the user must assume all risk and liability in connection therewith. Further information with regard to liabilities may be found at www.polypipe.com/disclaimer.

Polypipe
 Polypipe Civils
 Chamwood Business Park
 North Road, Loughborough
 Leicestershire, LE11 1LE
 Tel: 01509 615100
 Fax: 01509 615215
www.polypipe.com/civils

PROJECT NAME	RIDGICHUTE			STATUS		FOR INFORMATION	
PROJECT TYPE	RIDGICHUTE "Y" OPTION			SHEET SIZE	SHEET NO.	DRAWN BY	
				A3	1 of 1	KT	
				SCALE	DATE		
				NTS	13-08-18		
				DRAWING NO.	REV.		
				RCH_SD_004	-		