

RIDGISTORMCheck Vortex Flow Control Chambers

Data Sheet

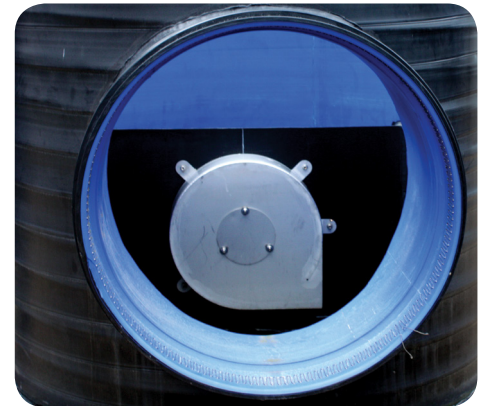
PRODUCT INFORMATION

P1

ISSUE 2 - MAR 2019

Where flows within a drainage system are required to be limited (i.e. prior to discharge from site), with improved hydraulic performance and reduced maintenance, we are able to offer our RIDGISTORMCheck Vortex Flow Control Chamber.

Pre-fabricated under factory controlled conditions, the RIDGISTORMCheck Chamber is available in a range of diameters from 1050-3000mm and incorporates a vortex flow control unit, fitted onto a preformed headwall. Each vortex flow control unit is manufactured to suit the unique hydraulic characteristics of the site's drainage system design. RIDGISTORMCheck Vortex Flow Control Chambers are typically supplied as a single unit, allowing simple installation and eliminating a number of construction risks associated with in-situ construction. When installed in conjunction with our range of pipe systems, they offer a fully integrated drainage system.



Applications

Site specific RIDGISTORMCheck Vortex Flow Control Chambers are engineered to suit a range of stormwater systems, providing a hydraulically efficient means of flow regulation that does not use moving parts or require power to operate.

Key Features and Benefits

- Self-activating vortex flow controller which controls forward flow of water
- No moving parts - virtually maintenance free
- Manufactured with an integral sump for silt catchment/removal
- Can be manufactured to adoptable standards
- Multiple inlet and outlet options, allowing quick and seamless connection to pipelines
- Depths can be tailored to suit project requirements
- Optional integral benching
- Optional step rungs to BS EN 13101 and ladders to BS EN 14396
- Optional riser section and riser location ring
- Integral lifting points available on request to improve Health and Safety during handling and installation
- Stub connections and rocker pipes are available
- Manufactured in a factory controlled environment for improved quality of finish
- Eliminates wastage associated with in-situ construction

Other fabrications in our RIDGISTORMCheck range:

- Orifice Plate Flow Control Chambers

Performance

RIDGISTORMCheck Vortex Flow Control Chambers are fabricated from Ridgistorm-XL pipework, which is manufactured to meet the material requirements of BS EN 13476.

RIDGISTORMCHECK VORTEX FLOW CONTROL CHAMBER

PHYSICAL PROPERTIES

Diameter	1050-3000mm
Depth	To suit requirements
Material	HDPE
Colour	Black with Blue Interior
Flow control units	Grade 304 Stainless Steel
Chemical resistance	HDPE is naturally resistant to most chemicals associated with stormwater drainage systems
Inlets/outlets	100-3000mm
Hydraulic performance	Unit manufactured to suit site specific conditions

Our Ridgistorm-XL Fabrications range

All of our Ridgistorm-XL fabrications are tailor-made, fully-welded, watertight structured wall chambers to suit project-specific requirements. Health and Safety benefits become apparent during handling and installation, due to our fabrications' strong but light in weight nature. In addition, off-site construction ensures uncompromised, high quality products being delivered to site ready-to-install, reducing installation time and costs.



RIDGISTORMCheck Vortex Flow Control Chambers

Data Sheet

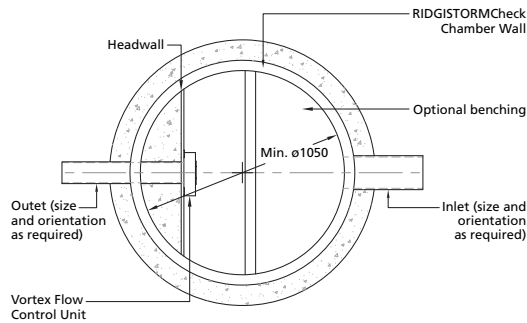
PRODUCT INFORMATION

P2

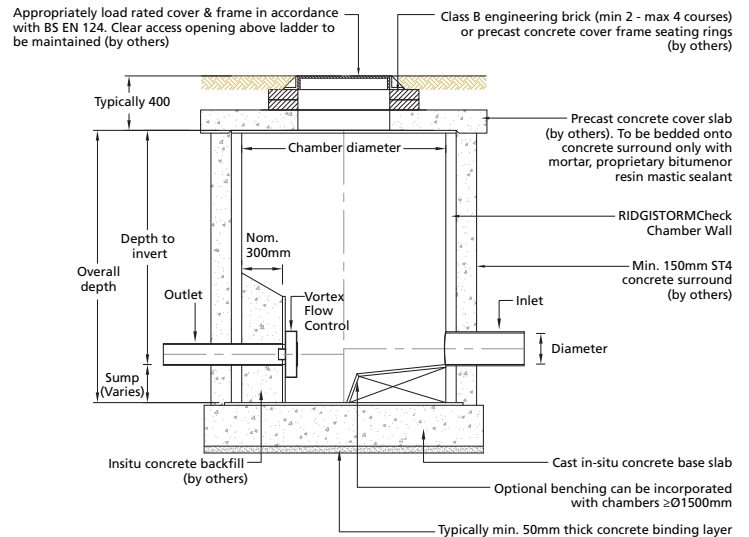
ISSUE 2 - MAR 2019

Non-Bypass Chamber

For sites where discharge rates must be guaranteed to not exceed a prescribed limit(s).

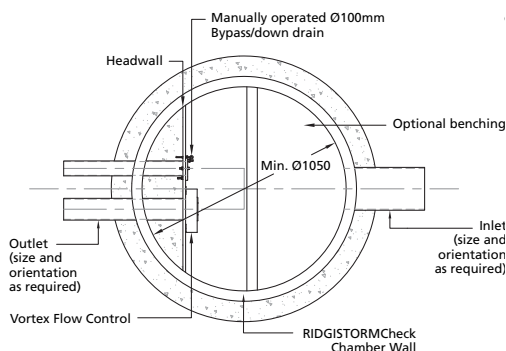


Note:
All builders work and manhole covers by others



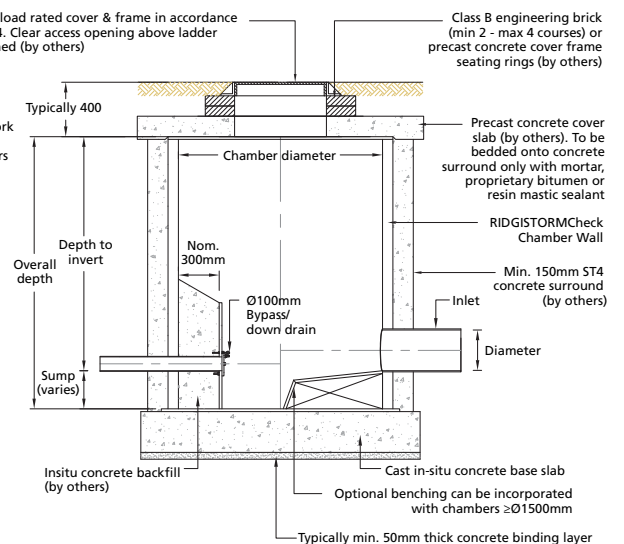
Manual Bypass Design

The manual bypass design offers a bypass the ability to flow control device to facilitate maintenance. Manually operated from the surface, the activation of the bypass system opens a door in the head wall allowing water in the chamber to drain down via the bypass pipe.



Appropriately load rated cover & frame in accordance with BS EN 124. Clear access opening above ladder to be maintained (by others)

Note:
All builders work and manhole covers by others



For further information please contact our Technical Team on +44 (0) 1509 615100 or download our CAD Standard Details from our website www.polypipe.com/civils-technical-hub

All descriptions and illustrations in this publication are intended for guidance only and shall not constitute a 'sale by description'. All dimensions given are nominal and Polypipe may modify and change the information, products and specifications from time to time for a variety of reasons, without prior notice. The information in this publication is provided 'as is' on March 2019. Updates will not be issued automatically. This information is not intended to have any legal effect, whether by way of advice, representation or warranty (express or implied). We accept no liability whatsoever (to the extent permitted by law) if you place any reliance on this publication you must do so at your own risk. All rights reserved. Copyright in this publication belongs to Polypipe and all such copyright may not be used, sold, copied or reproduced in whole or part in any manner in any media to any person without prior consent. © Polypipe is a registered trademark of Polypipe. All Polypipe products are protected by Design Right under CDPA 1988. Copyright © 2019 Polypipe. All rights reserved.

Polypipe Civils

Charnwood Business Park, Loughborough, Leicestershire LE11 1LE

Tel: +44 (0) 1509 615100 Fax: +44 (0) 1509 610215 Email: civils@polypipe.com

www.polypipe.com/civils

