

# RIDGISTORMControl Penstock and Valve Chambers

Data Sheet

## PRODUCT INFORMATION

P1

ISSUE 1 - MAY 2016

Where a drainage or sewer system design requires the inclusion of control devices to limit or isolate flows, our range of RIDGISTORMControl Chambers are available with pre-installed Penstocks, Flap Valves and Gate Valves.

RIDGISTORMControl Chambers are typically supplied as single units, manufactured in factory controlled conditions to improve the quality of finish and eliminate wastage associated with in-situ construction.



Flap Valve



Penstock

## Applications

Our pre-fabricated RIDGISTORMControl Chambers incorporate a range of flow control devices to limit or isolate flows within surface water, sewer and combined sewer systems.

### Typical control devices include:

#### Gate Valves

Gate Valves are used to permit or prevent the flow of water and can isolate drainage sections. The valve opens by lifting a wedge out of the path of the flow of water.

#### Flap Valves

Flap Valves are non-return hinge valves to prevent backflow upstream. They can also be used for outflow applications such as ponds, ditches, swales and tidal.

#### Penstocks

Penstocks consist of a gate which can isolate or control water flow. The gate can also be used as a flow control device to limit the flow of water passing through the system.

## Performance

RIDGISTORMControl Penstock and Valve Chambers are fabricated from Ridgistorm-XL pipework, which is manufactured to meet the material requirements of BS EN 13476:2007 (Part 1-3).

## Our Ridgistorm-XL Fabrications range

All of our Ridgistorm-XL fabrications are tailor-made, fully-welded, watertight structured wall chambers to suit project-specific requirements. Health and Safety benefits become apparent during handling and installation, due to our fabrications' strong but light in weight nature. In addition, off-site construction ensures uncompromised, high quality products being delivered to site ready-to-install, reducing installation time and costs.

## Key Features and Benefits

- Facilitates maintenance, control system flows and protects the drainage system from surcharging
- System components available include; Penstocks, Gate Valves and Flap Valves
- Multiple inlet and outlet options, supplied with integral sockets as standard allowing quick and seamless connection to pipeline
- Depths are tailored to suit project requirements
- Lockable steel covers available
- Optional integral benching
- Optional step rungs to BS EN 13101 and ladders to BS EN 14396
- Optional riser section
- Integral lifting points available on request to improve Health and Safety of handling and installation
- Stub connections and rocker pipes are available

## RIDGISTORMCONTROL PENSTOCK AND VALVE CHAMBERS

### PHYSICAL PROPERTIES

Diameter	900-3000mm
Depth	To suit requirements
Material	HDPE
Colour	Black with blue Interior
Loading	Determined by structural design
Chemical resistance	HDPE is naturally resistant to most chemicals associated with stormwater drainage systems
Inlets/outlets	100-3000mm



## Polypipe Civils

Charnwood Business Park, Loughborough, Leicestershire LE11 1LE  
Tel: +44 (0)1509 615100 Fax: +44 (0)1509 610215 Email: [civils@polypipe.com](mailto:civils@polypipe.com)

[www.polypipe.com/civils](http://www.polypipe.com/civils)



# RIDGISTORM Control Penstock and Valve Chambers

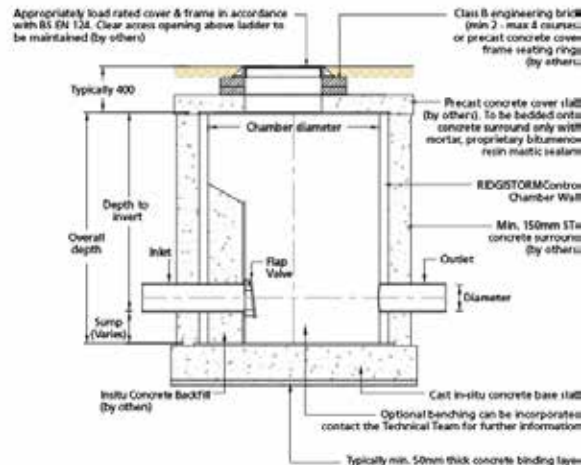
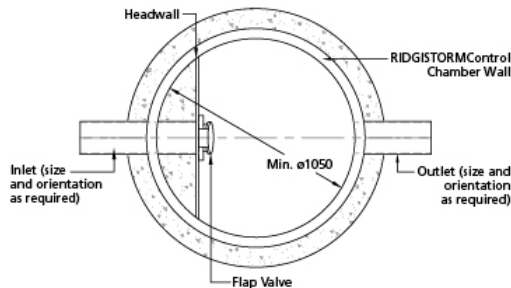
Data Sheet

PRODUCT INFORMATION

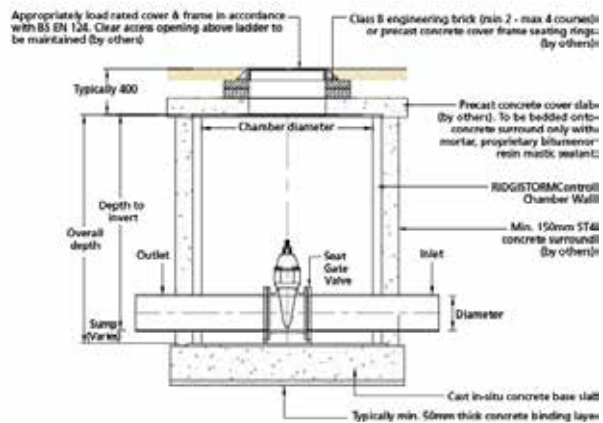
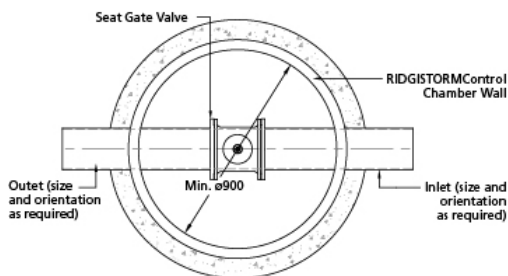
P2

ISSUE 1 - MAY 2016

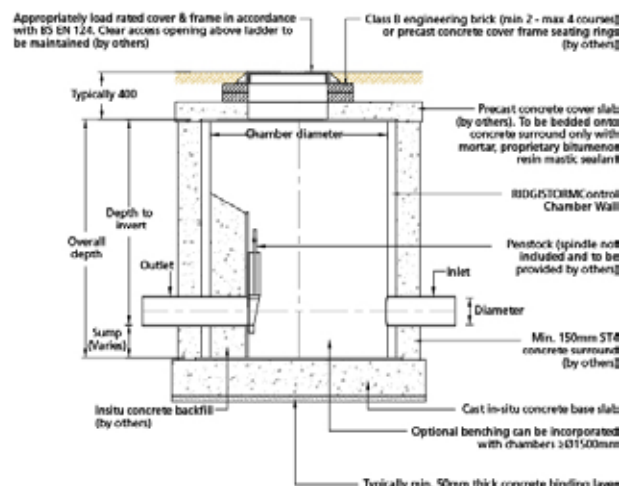
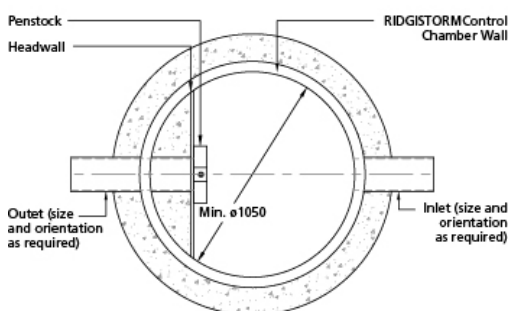
## Flap valve chamber



## Gate valve chamber



## Penstock chamber



For further information please contact our Technical Team on +44 (0) 1509 615100 or download our CAD Standard Details from our website [www.polypipe.com/toolbox](http://www.polypipe.com/toolbox)

All descriptions and illustrations in this publication are intended for guidance only and shall not constitute a 'sale by description'. All dimensions given are nominal and Polypipe may modify and change the information, products and specifications from time to time for a variety of reasons, without prior notice. The information in this publication is provided 'as is' on May 2016. Updates will not be issued automatically. This information is not intended to have any legal effect, whether by way of advice, representation or warranty (express or implied). We accept no liability whatsoever (to the extent permitted by law) if you place any reliance on this publication you must do so at your own risk. All rights reserved. Copyright in this publication belongs to Polypipe and all such copyright may not be used, sold, copied or reproduced in whole or part in any manner in any media to any person without prior consent. Polypipe is a registered trademark of Polypipe. All Polypipe products are protected by Design Right under CDPA 1988. Copyright © 2016 Polypipe. All rights reserved.

Polypipe Civils

Charnwood Business Park, Loughborough, Leicestershire LE11 1LE

Tel: +44 (0) 1509 615100 Fax: +44 (0) 1509 610215 Email: [civils@polypipe.com](mailto:civils@polypipe.com)

[www.polypipe.com/civils](http://www.polypipe.com/civils)

 Polypipe