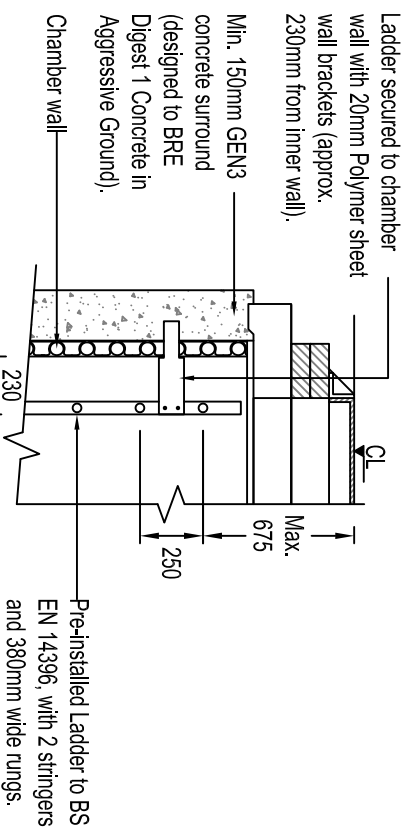
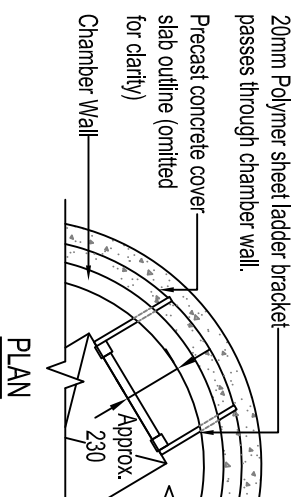


### TYPICAL STEP RUNG DETAIL

Scale (1:30)



### TYPICAL LADDER DETAIL

Scale (1:30)

**Table 1) Abridged Reproduction of BS EN 752: 2008 Table NA.22 (refer to note 10).**  
Recommended dimensions for the construction of manhole shafts (with personnel entry)

Manhole shaft <sup>c)</sup>	Steps <sup>d)</sup>		600	Min. clear space between the ladder/steps and the opposite face should be 900mm.
	Ladders <sup>e)</sup>	Winch		
> 3.0	1200	900	600	Winch only - no steps or ladders (permanent or removable)
< 3.0	1050	600	600	Winch only - no steps or ladders (permanent or removable)

**NOTES:**

- These sizes apply to straight-through pipe; for turning chambers or chambers with several side branches or where specific maintenance requirements are necessary, e.g. disconnecting traps, the minimum sizes should be increased.
- Chamber with a removable cover constructed on drain or sewer to permit entry by personnel.
- Minimum height of a chamber in shafted manhole 2m from benching to underside of reducing slab.
- Step rungs to be used in chambers ≤ 3.0m.
- Ladders to be used in chambers 3.0m to 6.0m.

The information in this document is of an illustrative nature and is supplied by Polypipe Civils without charge. This document does not form the whole or any part of a contract or intended contract with the user. The information within this document should not be solely relied upon to determine the suitability or installation requirements of our products for a proposed application and expected site conditions; expert advice should be sought in this respect. Final determination of the suitability of any information or material for the use contemplated and the manner of use is the sole responsibility of the user and the user must assume all risk and liability in connection therewith. Further information with regard to liabilities may be found at [www.polypipe.com/discclaimer](http://www.polypipe.com/discclaimer).



**Polypipe Civils**

Charnwood Business Park,  
North Road, Loughborough,  
Leicestershire, LE11 1LE

Tel: 01509 615100  
Fax: 01509 615215  
[www.polypipe.com/civils](http://www.polypipe.com/civils)  
[www.polypipe.com/wms](http://www.polypipe.com/wms)

## PROJECT COMPONENT MANHOLE STANDARD DETAILS

TITLE  
**RIDGISTORM-XL MANHOLE ACCESS OPTIONS**

STATUS  
**FOR INFORMATION**

DATE  
16/03/16

ORIGINAL SIZE  
A3

SCALE  
AS SHOWN

- NOTES - Access Manholes**
- Access to manholes to comply with HSE Safe work in confined spaces; Confined Spaces Regulations 1997 Approved Code of Practice (ACOP) L101 (Third Edition, published 2014).
- NOTES**
- All dimensions in millimetres, unless otherwise stated.
  - All dimensions are nominal and may vary within manufacturing or construction tolerances.
  - All site temporary and enabling works by others.
  - Ridgistorm-XL units to be installed in accordance with Polypipe Civils recommendations (refer to Polypipe technical guidance for further information); giving due consideration to the requirements of the approving and adopting organisation(s) who will be taking ultimate ownership of the installation.
  - Dimensions are based on a minimum stiffness class SN2 pipe; corresponding to the standardised pipe profiles current at the time of this drawing's issue.
  - This drawing is intended for guidance only. Confirmation of the information contained within this document should be sought from the consulting engineers before final design or construction activities commence.
  - Unless otherwise stated, all Ridgistorm-XL is supplied to site without direct means of lifting incorporated. The lift supervisor must assess and plan the lift, in the circumstances of the lift, and provide slings and/or other controls as deemed necessary to ensure a safe lift.
  - Minimum and maximum chamber depths applicable, dependant on project specification and fabrication restrictions.

DRAWING NO.  
RST\_SD\_CM\_002

REV.

DRAWN BY  
JL

SCALE  
AS SHOWN

REV.