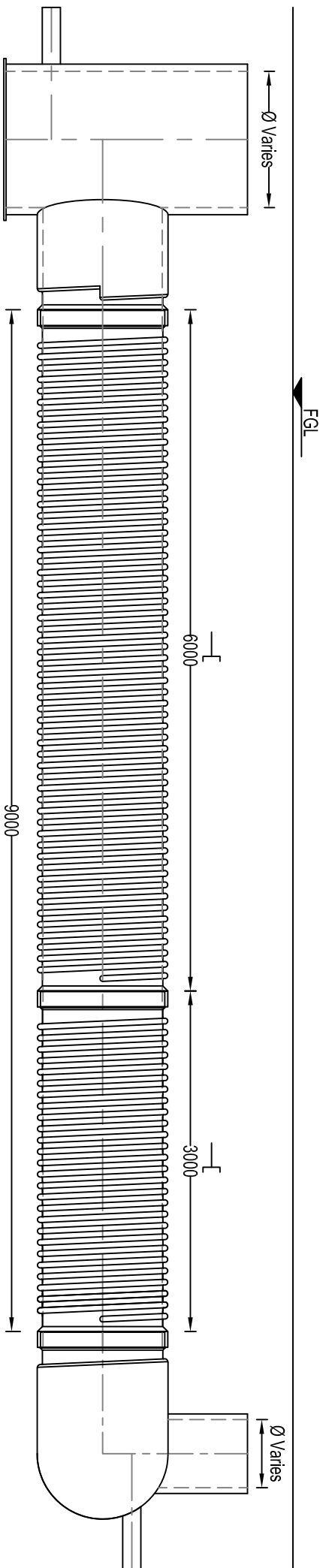
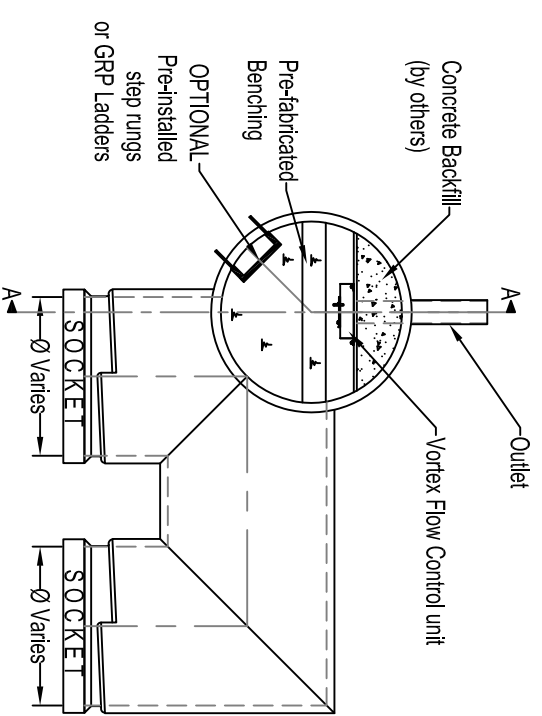


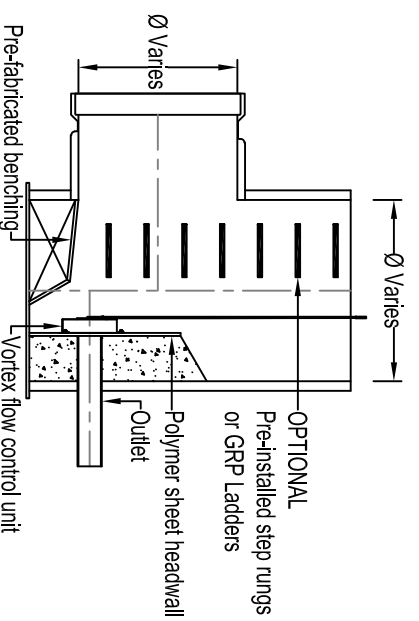
PLAN VIEW
Scale 1:50



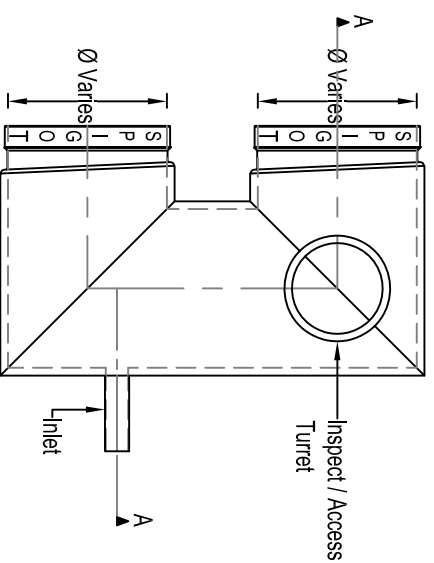
ELEVATION A-A
Scale 1:50



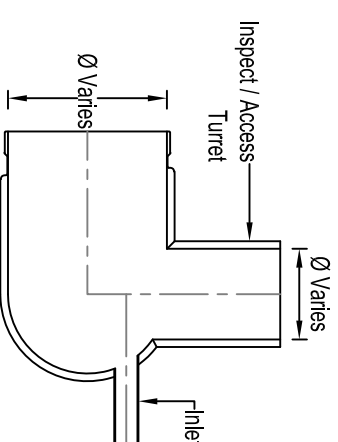
UNIT 1 - PLAN VIEW
Scale 1:50



UNIT 1 - SECTION A-A
Scale 1:50



UNIT 2 - PLAN VIEW
Scale 1:50



UNIT 2 - SECTION A-A
Scale 1:50

RIDGISTORM-XL NOTES

Ridgistorm-XL is an ideal solution to form unique and robust modular underground storage tanks. Polypipe Civils can engineer complete storage tanks for attenuation and infiltration systems. Factory fabricated modular solutions consist of pipework, fittings, access and component chambers. All pipes and fittings may be manufactured with the appropriate strength and stiffness to meet project specific requirements.

NOTES

1. All dimensions in millimetres, unless otherwise stated.
2. All dimensions are nominal and may vary within manufacturing or construction tolerances.
3. All site temporary and enabling works by others.
4. Ridgistorm-XL units to be installed in accordance with Polypipe Civils recommendations (refer to Polypipe technical guidance for further information); giving due consideration to the requirements of the organisation who will be taking ultimate ownership of the installation.
5. Dimensions are based on a minimum stiffness class SN2 pipe; corresponding to the standardised pipe profiles current at the time of this drawing's issue.
6. This drawing is intended for guidance only. Confirmation of the information contained within this document should be sought from the consulting engineers before final design or construction activities commence.
7. Unless otherwise stated, all Ridgistorm-XL is supplied to site without direct means of lifting incorporated. The lift supervisor must assess and plan the lift, in the circumstances of the lift, and provide slings and/or other controls as deemed necessary to ensure a safe lift.
8. Minimum and maximum cover depths applicable, dictated by the expected native ground conditions, trafficking and proposed Ridgistorm-XL pipe specification.



Polypipe Civils

Chamwood Business Park,
North Road, Loughborough,
Leicestershire, LE11 1LE

Tel: 01509 615100
Fax: 01509 615215
www.polypipe.com/civils
www.polypipe.com/wms

RIDGISTORM-XL STANDARD DETAILS

TYPICAL ARRANGEMENT - EXAMPLE ONE

STATUS		FOR INFORMATION	
DATE	16/03/16	DRAWN BY	JL
ORIGINAL SIZE	A3	SCALE	AS SHOWN
DRAWING NO.	RST_SD_EG_001	REV.	

The information in this document is of an illustrative nature and is supplied by Polypipe Civils without charge. This document does not form the whole or any part of a contract or intended contract with the user. The information within this document should not be solely relied upon to determine the suitability or installation requirements of our products for a proposed application and expected site conditions; expert advice should be sought in this respect. Final determination of the suitability of any information or material for the use contemplated and the manner of use is the sole responsibility of the user and the user must assume all risk and liability in connection therewith. Further information with regard to liabilities may be found at www.polypipe.com/discclaimer.