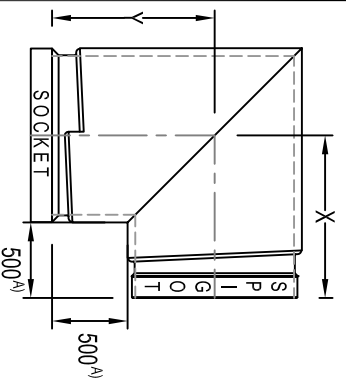
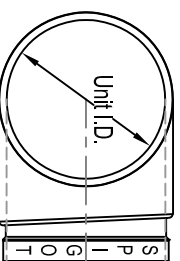


TYPICAL 90° BEND DIMENSIONS



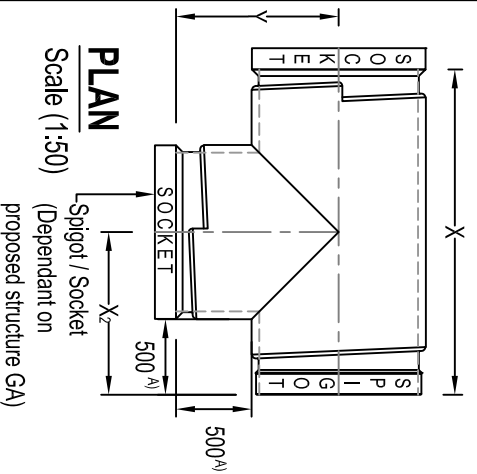
PLAN
Scale (1:50)



FRONT ELEVATION

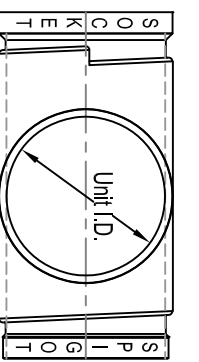
Scale (1:50)

TYPICAL EQUAL T-JUNCTION DIMENSIONS



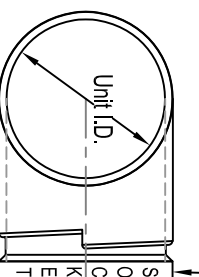
PLAN
Scale (1:50)

Spigot / Socket
(Dependant on proposed structure GA)



FRONT ELEVATION

Scale (1:50)



SIDE ELEVATION

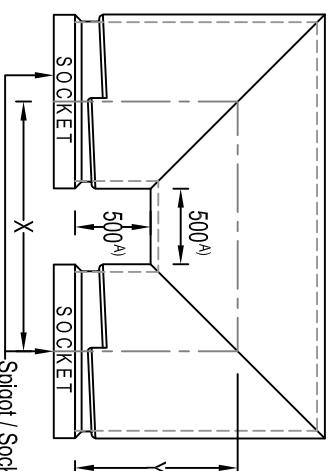
Scale (1:50)

NOMINAL DIMENSIONS

Pipe I.D.	Product Code	Dimension [mm]		
		X	Y	Z
750	RST0720B90*	919		
900	RST0920B90*	994		
1050	RST1020B90*	1076		
1200	RST1220B90*	1156		
1500	RST1520B90*	1326		
1800	RST1820B90*	1478		
2100	RST1820B90*	1630		
2400	RST2420B90*	1791		
2700	RST2720B90*	1981		
3000	RST3020B90*	2145		

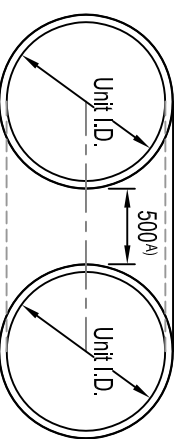
NOTES
* defines jointing type, where:
S = Ring seal¹⁾ & EF = Electro-fusion.
1. Ring seal currently available for pipes ≤1800Ø only

TYPICAL C-UNIT DIMENSIONS



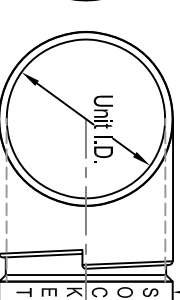
PLAN
Scale (1:50)

Spigot / Socket
(Dependant on proposed structure GA)



FRONT ELEVATION

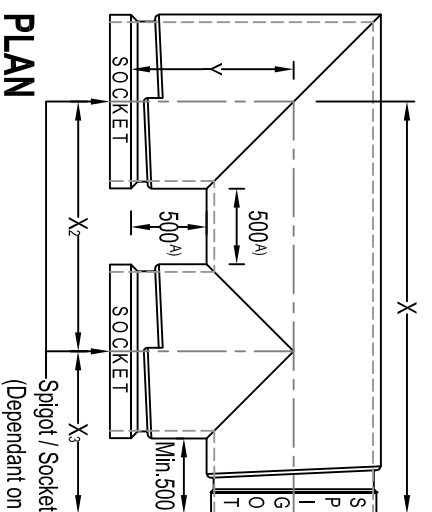
Scale (1:50)



SIDE ELEVATION

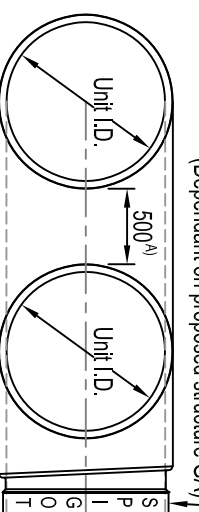
Scale (1:50)

TYPICAL F-UNIT DIMENSIONS



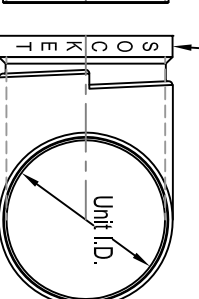
PLAN
Scale (1:50)

Spigot / Socket
(Dependant on proposed structure GA)



FRONT ELEVATION

Scale (1:50)



SIDE ELEVATION

Scale (1:50)

NOMINAL DIMENSIONS

Pipe I.D.	Product Code	Dimension [mm]		
		X	Y	Z
750	RST0720CS*	1338	919	
900	RST0920CS*	1488	994	
1050	RST1020CS*	1652	1076	
1200	RST1220CS*	1812	1156	
1500	RST1520CS*	2152	1326	
1800	RST1820CS*	2456	1478	
2100	RST17120CS*	2760	1630	
2400	RST172420CS*	3082	1791	
2700	Not available in this size			
3000	Not available in this size			

NOTES
* defines jointing type, where:
S = Ring seal¹⁾ & EF = Electro-fusion.
1. Ring seal currently available for pipes ≤1800Ø only

PRODUCT CODE EXPLANATION

Code	Explanation
RST	Ridgistor™
07	Pipe size Ø750mm
20	Pipe stiffness class SN2
60	Length 6m
S	Ring Seal
1.25m	Length 1.25m
Joint	Electro-fusion joint
C Unit ¹⁾	Type of unit such as C Unit ¹⁾

PRODUCT CODE EXPLANATION

Code	Explanation
RST	Ridgistor™
07	Pipe size Ø750mm
20	Pipe stiffness class SN2
60	Length 6m
E	Electro-fusion joint
1.25m	Length 1.25m
Joint	Electro-fusion joint
C Unit ¹⁾	Type of unit such as C Unit ¹⁾

NOTE A)

As standard the min. spacing between pipes is assumed to be 500mm. Widths less than 500mm may be achieved if confirmed by structural calculations and the proposed installation general arrangement is confirmed with Polypipe Civils Technical Team. Greater widths may be required to achieve a specified level of compaction, or to allow jointing of pipes/ fittings

NOTES

- All dimensions in millimetres, unless otherwise stated.
- All dimensions are nominal and may vary within manufacturing or construction tolerances.
- All site temporary and enabling works by others.
- Ridgistor™-XL units to be installed in accordance with Polypipe Civils recommendations (refer to Polypipe technical guidance for further information); giving due consideration to the requirements of the organisation who will be taking ultimate ownership of the installation.
- Dimensions are based on a minimum stiffness class SN2 pipe; corresponding to the standardised pipe profiles current at the time of this drawing's issue.
- This drawing is intended for guidance only. Confirmation of the information contained within this document should be sought from the consulting engineers before final design or construction activities commence.
- Unless otherwise stated, all Ridgistor™-XL is supplied to site without direct means of lifting incorporated. The lift supervisor must assess and plan the lift, in the circumstances of the lift, and provide slings and/or other controls as deemed necessary to ensure a safe lift.
- Minimum and maximum cover depths applicable, dictated by the expected native ground conditions, trafficking and proposed Ridgistor™-XL pipe specification.

NOMINAL DIMENSIONS

Pipe I.D.	Product Code	Dimension [mm]		
		X	X ₂	Y
750	RST0720EJT*	1838	919	
900	RST0920EJT*	1988	994	
1050	RST1020EJT*	2152	1076	
1200	RST1220EJT*	2312	1156	
1500	RST1520EJT*	2652	1326	
1800	RST1820EJT*	2956	1478	
2100	RST1720EJT*	3260	1630	
2400	RST2420EJT*	3582	1791	
2700	RST2720EJT*	3962	1981	
3000	RST3020EJT*	4290	2145	

NOTES
* defines jointing type, where:
S = Ring seal¹⁾ & EF = Electro-fusion.
1. Ring seal currently available for pipes ≤1800Ø only

NOMINAL DIMENSIONS

Pipe I.D.	Product Code	Dimension [mm]		
		X	X ₂	Y
750	RST0720FS*	2257	1338	919
900	RST0920FS*	2482	1488	994
1050	RST1020FS*	2728	1652	1076
1200	RST1220FS*	2968	1812	1156
1500	RST1520FS*	3478	2152	1326
1800	RST1820FS*	3934	2456	1478
2100	RST1820FS*	4390	2760	1630
2400	Not available in this size			
2700	Not available in this size			
3000	Not available in this size			

NOTES
* defines jointing type, where: S = Ring seal¹⁾ & EF = Electro-fusion.
1. Ring seal currently available for pipes ≤1800Ø only

The information in this document is of an illustrative nature and is supplied by Polypipe Civils without charge. This document does not form the whole or any part of a contract or intended contract with the user. The information within this document should not be solely relied upon to determine the suitability or installation requirements of our products for a proposed application and expected site conditions; expert advice should be sought in this respect. Final determination of the suitability of any information or material for the use contemplated and the manner of use is the sole responsibility of the user and the user must assume all risk and liability in connection therewith. Further information with regard to liabilities may be found at www.polypipe.com/disclaimer.



Polypipe Civils
Charnwood Business Park,
North Road, Loughborough,
Leicestershire, LE11 1LE

Tel: 01509 615100
Fax: 01509 615215
www.polypipe.com/civils
www.polypipe.com/wms

PROJECT

RIDGISTORM-XL STANDARD DETAILS

FOR INFORMATION

TITLE

BEND AND JUNCTION DIMENSIONS

DATE	DRAWN BY	SCALE
16/03/16	JL	AS SHOWN
ORIGINAL SIZE	A3	AS SHOWN
DRAWING NO.	RST_SD_FT_004	REV.