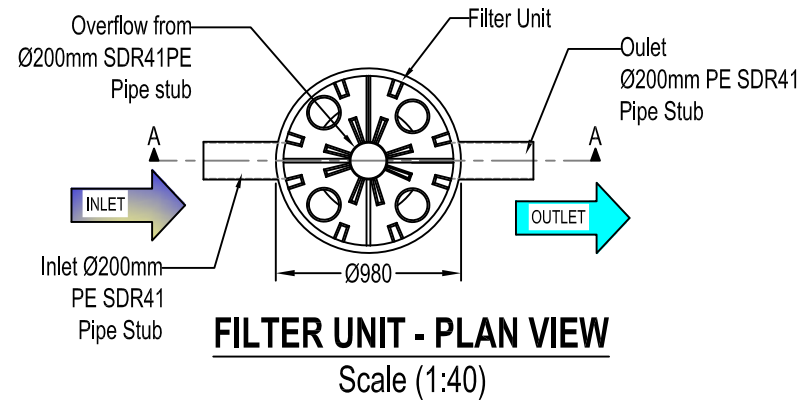
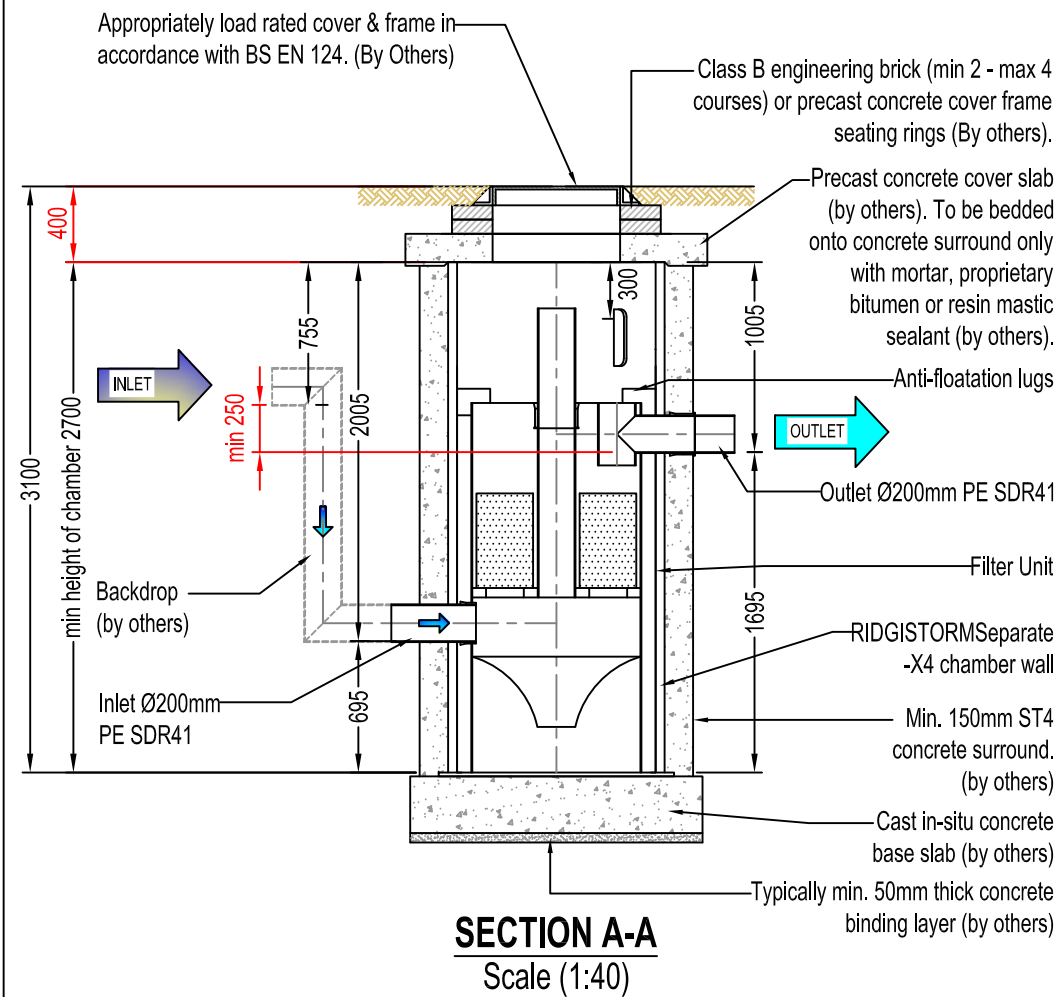


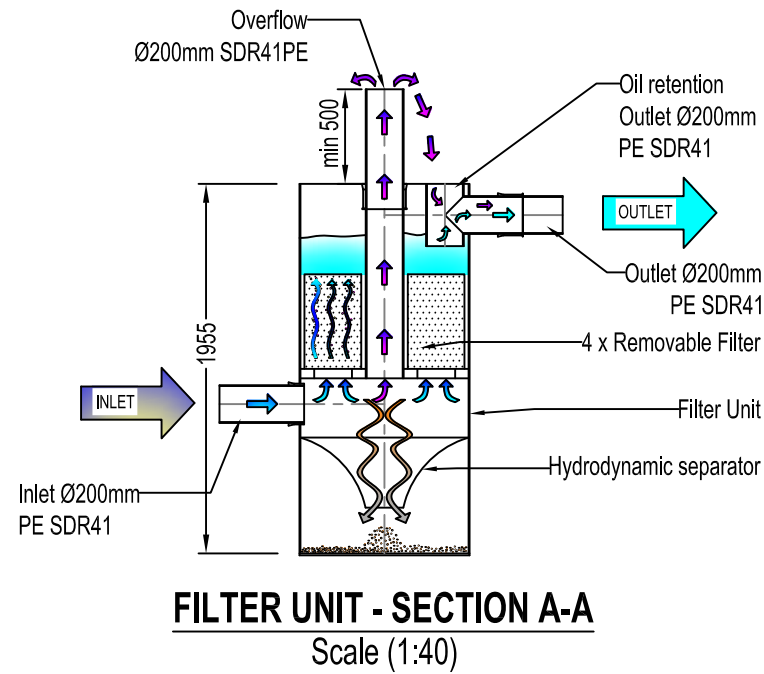
PLAN VIEW
Scale (1:40)



FILTER UNIT - PLAN VIEW
Scale (1:40)



SECTION A-A
Scale (1:40)



FILTER UNIT - SECTION A-A
Scale (1:40)

PROPERTIES	HEAVY TRAFFIC	TRAFFIC	ROOF
Recommended max. catchment area	500 m ²	750 m ²	1000 m ²
WEIGHT	Removable Filter	4 x 54 Kg	4 x 34 Kg
	Filter Unit	122 Kg	
	Chamber	170Kg (for 2700mm height)	
	TOTAL	508 Kg	428 Kg
Treatment flow rate	3 - 12 l/s (when flow is below 2.5l/s we recommend replacing the filters)		

*For maintenance Rainwater Tank Cleaning Ltd can be contacted
(www.rainwatertankcleaning.co.uk Tel. 01636 904943)

STANDARD TOLERANCES

ALL DIMENSIONS IN MILLIMETRES, UNLESS OTHERWISE STATED.
Angles +/- 1.5°
All Dimensions +50mm / -30mm

Team Leader inspection points identified by: 1 2 3

LIFTING POINTS NOTES

1. This document should be read in conjunction with the latest edition of the Polypipe Ridgistorm-XL Lifting guidance document.
2. The lift supervisor must assess and plan the chamber lift, in the circumstances of the lift. Where the construction of the chamber results in an off-centre load the chamber will rotate from level when only lifted by the three points provided. In these circumstances the lift supervisor must use additional slings and/or other controls where deemed necessary to ensure a safe and level lift.
3. Polypipe are not liable for any lift carried out by a third party.

GENERAL NOTES

1. Polypipe bespoke Ridgistorm-XL chambers are complete pre-formed units.
2. Polypipe products to be installed in accordance with Polypipe Civils recommendations (refer to Polypipe technical guidance for further information), giving due consideration to the requirements of the organisation who will take ultimate ownership of the installation.
3. Site conditions may require specific installation requirements. The installer should verify that the proposed installation method is acceptable, giving due consideration to the requirements of the relevant approving and adopting authorities, before construction activities commence.
4. Advice on any system requirements specific to the proposed Ridgistorm XL system should be sought from Polypipe Civils.
5. All PE stub connections will require adaptors (to be supplied by Contractor / Developer).

DRAWING NOTES

1. Where cover slabs are applicable, the slab thickness (shown in red) has been assumed and therefore needs to be confirmed by others.
2. Drawings should not be scaled, refer to figured dimensions only.
3. All dimensions in millimetres, unless otherwise stated.
4. All dimensions are nominal and may vary within manufacturing or construction tolerances.
5. All site temporary and enabling works by others.
6. This drawing is intended for guidance only. Confirmation of the information contained within this document should be sought from the consulting engineers before final design or construction activities commence.

A	Chamber design was updated	25/05/18_HAS
REV	AMENDMENT	DATE

All information in this document is of an illustrative nature and is supplied by Polypipe Civils & Green Urbanisation without charge. Polypipe may modify and change the information, products and specifications from time to time for a variety of reasons, without prior notice. Updates will not be issued automatically. This information is not intended to have any legal effect, whether by way of advice, representation or warranty (express or implied). We accept no liability whatsoever (to the extent permitted by law), if you place any reliance on this document you must do so at your own risk. The information within this document should not be solely relied upon to determine the suitability or installation requirements of our products for a proposed application and expected site conditions; expert advice should be sought in this respect. Copyright © 2020 Polypipe. All rights reserved. 'Polypipe logo' is a registered trademark of Polypipe. All Polypipe products are protected by Design Right under CDPA 1988.



North Road, Loughborough, Leicestershire, LE11 1LE
Tel: 01509 615100
Fax: 01509 615215
www.polypipe.com/civils

PROJECT NAME	RIDGISTORMSeparate X4 CHAMBER			STATUS	FOR INFORMATION		
PROJECT TYPE	STANDARD DETAIL FOR PREFABRICATED CHAMBER			SHEET SIZE	SHEET NO.	DRAWN BY	
				A3	1 of 1	HAS	
				SCALE	DATE		
				AS SHOWN	09/10/17		
				DRAWING NO.	REV.		
				RST_SD_ST_M001	A		